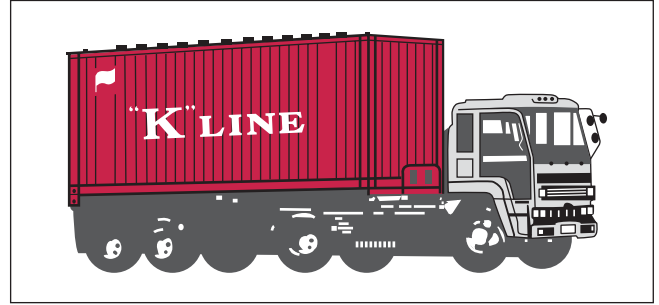
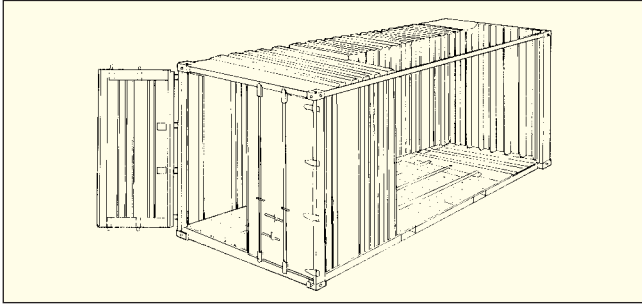


20' Dry Freight Containers



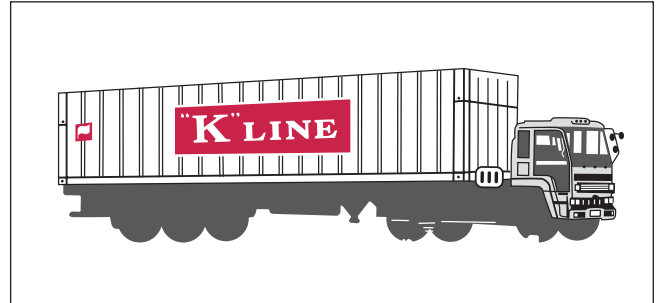
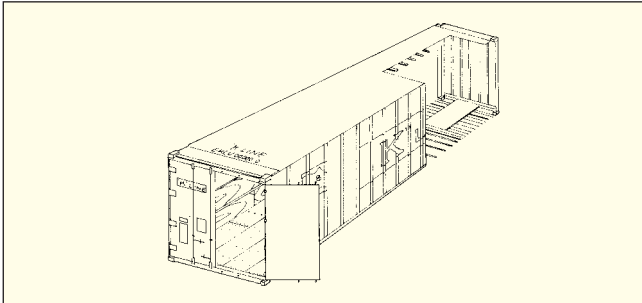
| Height | Material | Tare Weight (kg/lbs) | Max* Cargo Cap. (kg/lbs) | Door Opening | | Interior Dimensions | | | Interior Cube (m³/cft) |
|--------|----------|----------------------|--------------------------|---------------|----------------|---------------------|---------------|----------------|------------------------|
| | | | | Width (mm/ft) | Height (mm/ft) | Length (mm/ft) | Width (mm/ft) | Height (mm/ft) | |
| 8'-6" | Steel | 2,330 | 28,150 | 2,340 | 2,280 | 5,898 | 2,352 | 2,393 | 33.2 |
| | | 5,140 | 62,060 | 7' 8" | 7' 6" | 19' 4" | 7' 9" | 7' 10" | 1,172 |

Remarks * : Subject to road and rail weight limitations.

** : Figures were changed from containers produced after July 1998.

: Above are typical figures for this type of containers.

40' Dry Freight Containers

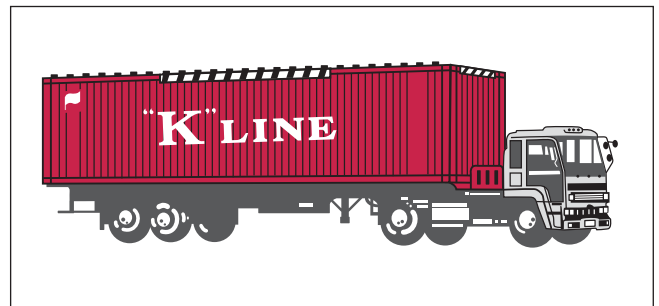
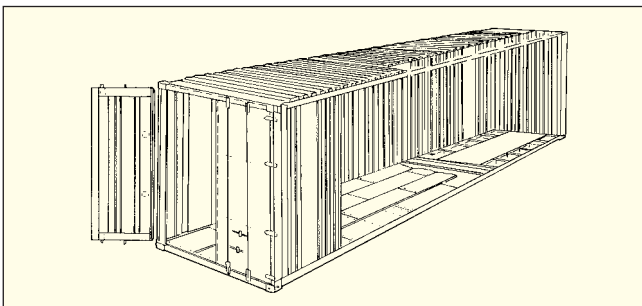


| Height | Material | Tare Weight (kg/lbs) | Max* Cargo Cap. (kg/lbs) | Door Opening | | Interior Dimensions | | | Interior Cube (m³/cft) |
|--------|----------|----------------------|--------------------------|---------------|----------------|---------------------|---------------|----------------|------------------------|
| | | | | Width (mm/ft) | Height (mm/ft) | Length (mm/ft) | Width (mm/ft) | Height (mm/ft) | |
| 8'-6" | Steel | 3,770 | 28,730 | 2,340 | 2,280 | 12,032 | 2,352 | 2,393 | 67.6 |
| | | 8,421 | 63,339 | 7' 8" | 7' 6" | 39' 6" | 7' 9" | 7' 10" | 2,390 |

Remarks * : Subject to road and rail weight limitations.

: Above are typical figures for this type of containers.

40' HC Containers

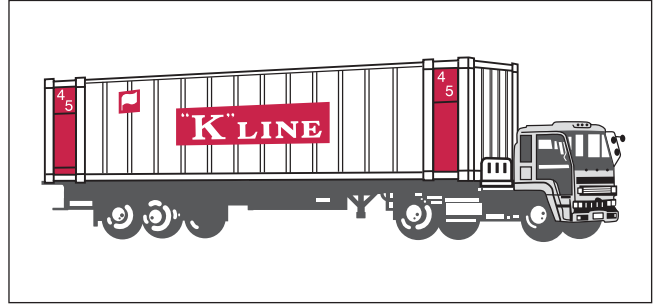
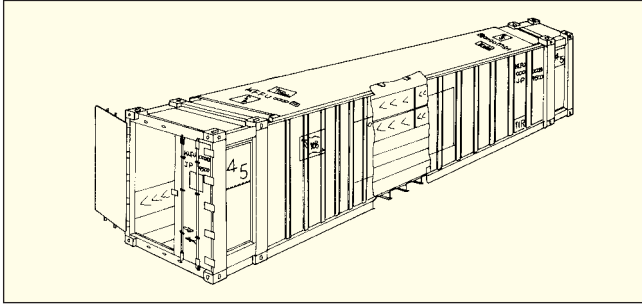


| Height | Material | Tare Weight (kg/lbs) | Max* Cargo Cap. (kg/lbs) | Door Opening | | Interior Dimensions | | | Interior Cube (m³/cft) |
|--------|----------|----------------------|--------------------------|---------------|----------------|---------------------|---------------|----------------|------------------------|
| | | | | Width (mm/ft) | Height (mm/ft) | Length (mm/ft) | Width (mm/ft) | Height (mm/ft) | |
| 9'-6" | Steel | 3,970 | 28,530 | 2,340 | 2,585 | 12,032 | 2,352 | 2,698 | 76.3 |
| | | 8,750 | 62,900 | 7' 8" | 8' 6" | 39' 6" | 7' 9" | 8' 10" | 2,693 |

Remarks * : Subject to road and rail weight limitations.

: Above are typical figures for this type of containers.

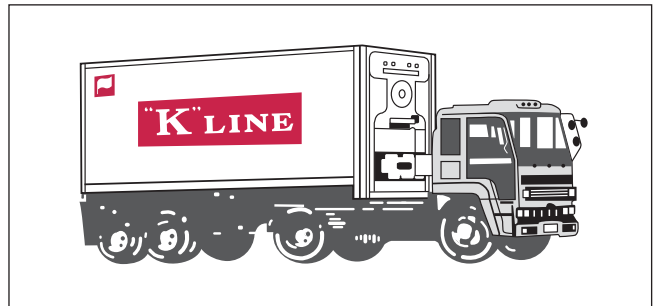
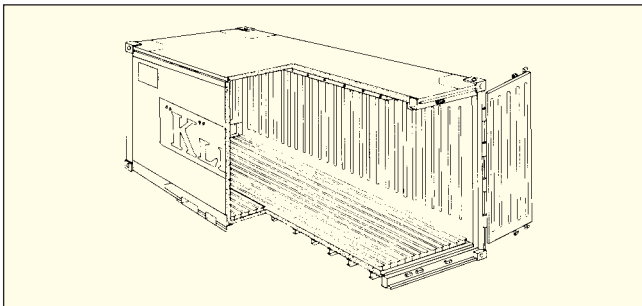
45' HC Containers



| Height | Material | Tare Weight (kg/lbs) | Max* Cargo Cap. (kg/lbs) | Door Opening | | Interior Dimensions | | | Interior Cube (m³/cft) |
|--------|----------|----------------------|--------------------------|---------------|----------------|---------------------|---------------|----------------|------------------------|
| | | | | Width (mm/ft) | Height (mm/ft) | Length (mm/ft) | Width (mm/ft) | Height (mm/ft) | |
| 9'-6" | Steel | 4,730 | 25,750 | 2,340 | 2,585 | 13,556 | 2,352 | 2,698 | 85.9 |
| | | 10,430 | 56,770 | 7' 8" | 8' 6" | 44' 6" | 7' 9" | 8' 10" | |

Remarks * : Subject to road and rail weight limitations.
 : Above are typical figures for this type of containers.

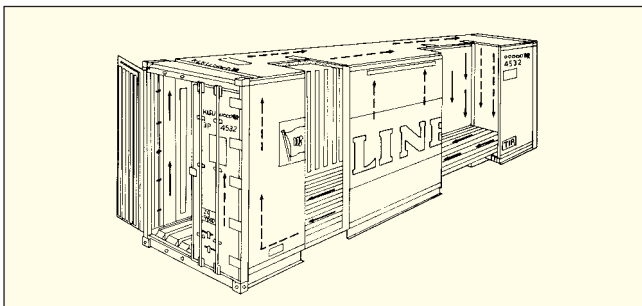
20' Refrigerated Containers



| Height | Material | Tare Weight (kg/lbs) | Max* Cargo Cap. (kg/lbs) | Door Opening | | Interior Dimensions | | | Interior Cube (m³/cft) |
|--------|----------|----------------------|--------------------------|---------------|----------------|---------------------|---------------|----------------|------------------------|
| | | | | Width (mm/ft) | Height (mm/ft) | Length (mm/ft) | Width (mm/ft) | Height (mm/ft) | |
| 8'-6" | MGSS | 2,980 | 27,500 | 2,290 | 2,264 | 5,454 | 2,294 | 2,263 | 28.3 |
| | | 6,570 | 60,630 | 7' 6" | 7' 5" | 18' 1" | 7' 7" | 7' 5" | |

Remarks * : Subject to road and rail weight limitations.
 : Above are typical figures for this type of containers.

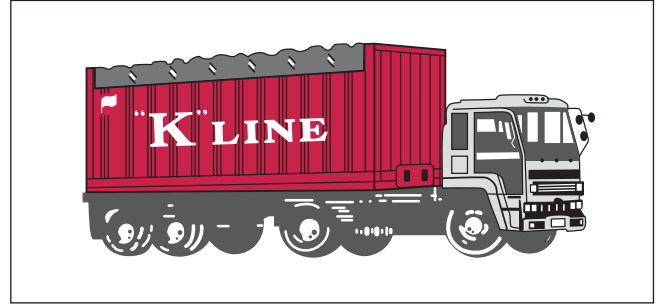
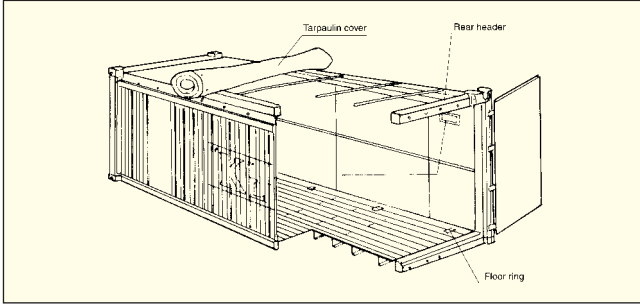
40' HC Refrigerated Containers



| Height | Material | Tare Weight (kg/lbs) | Max* Cargo Cap. (kg/lbs) | Door Opening | | Interior Dimensions | | | Interior Cube (m³/cft) |
|--------|-----------|----------------------|--------------------------|---------------|----------------|---------------------|---------------|----------------|------------------------|
| | | | | Width (mm/ft) | Height (mm/ft) | Length (mm/ft) | Width (mm/ft) | Height (mm/ft) | |
| 9'-6" | Aluminium | 4,550 | 25,930 | 2,286 | 2,443 | 11,672 | 2,286 | 2,505 | 66.8 |
| | | 10,031 | 57,169 | 7' 6" | 8' 0" | 38' 4" | 7' 6" | 8' 3" | |
| 9'-6" | MGSS | 4,670 | 29,330 | 2,290 | 2,569 | 11,585 | 2,294 | 2,544 | 67.5 |
| | | 10,300 | 64,660 | 7' 6" | 8' 5" | 38' 00" | 7' 6" | 8' 5" | |

Remarks * : Subject to road and rail weight limitations.
 : Above are typical figures for this type of containers.

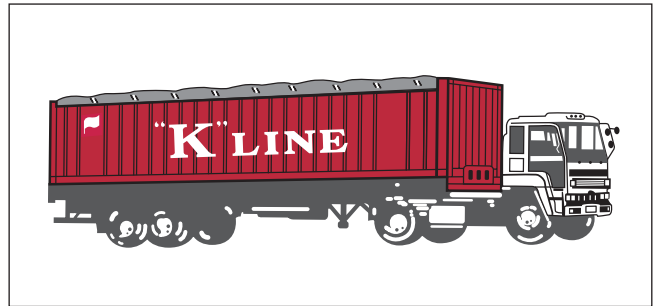
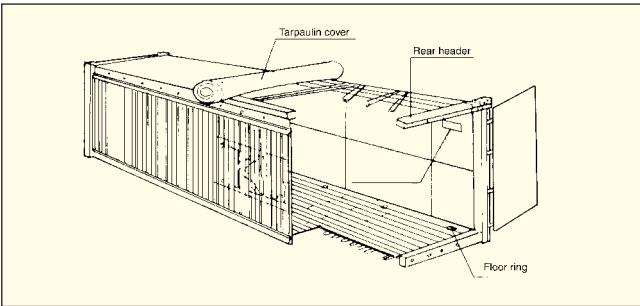
20' Open Top Containers



| Height | Material | Tare Weight (kg/lbs) | Max Cargo Cap. (kg/lbs) | Door Opening | | Interior Dimensions | | | Interior Cube (m³/cft) |
|--------|----------|----------------------|-------------------------|---------------|----------------|---------------------|---------------|----------------|------------------------|
| | | | | Width (mm/ft) | Height (mm/ft) | Length (mm/ft) | Width (mm/ft) | Height (mm/ft) | |
| 8'–6" | Steel | 2,330 | 28,150 | 2,340 | 2,280 | 5,902 | 2,350 | 2,348 | 32.2 |
| | | 5,137 | 62,059 | 7' 8.5" | 7' 6" | 19' 4" | 7' 9" | 7' 9" | 1,137 |

Remarks * : Subject to road and rail weight limitations.
: Above are typical figures for this type of containers.

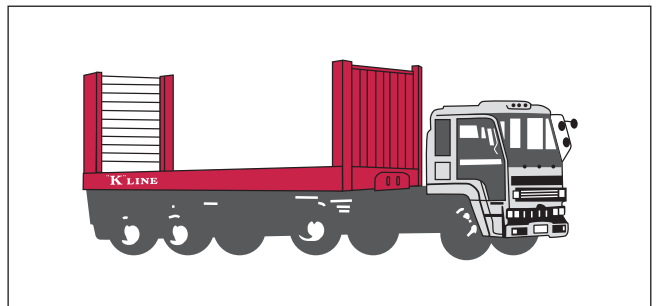
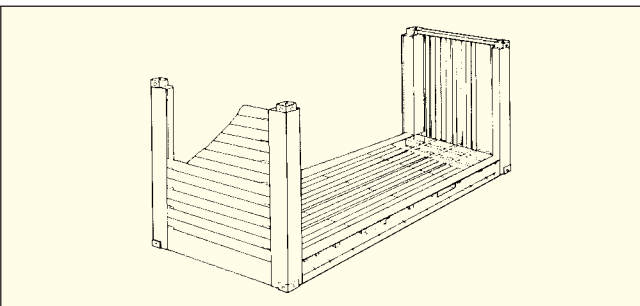
40' Open Top Containers



| Height | Material | Tare Weight (kg/lbs) | Max Cargo Cap. (kg/lbs) | Door Opening | | Interior Dimensions | | | Interior Cube (m³/cft) |
|--------|----------|----------------------|-------------------------|---------------|----------------|---------------------|---------------|----------------|------------------------|
| | | | | Width (mm/ft) | Height (mm/ft) | Length (mm/ft) | Width (mm/ft) | Height (mm/ft) | |
| 8'–6" | Steel | 3,750 | 26,730 | 2,340 | 2,280 | 12,036 | 2,350 | 2,348 | 65.8 |
| | | 8,267 | 58,928 | 7' 8.5" | 7' 6" | 39' 5.5" | 7' 9" | 7' 9" | 2,323 |

Remarks * : Subject to road and rail weight limitations.
: Above are typical figures for this type of containers.

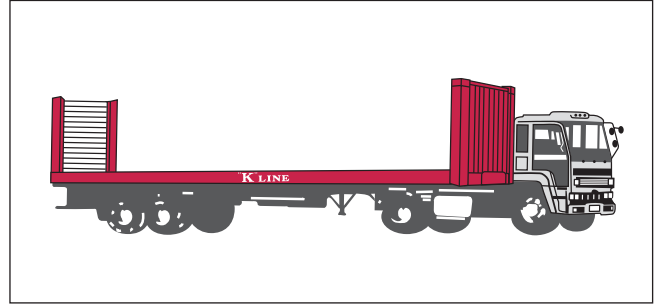
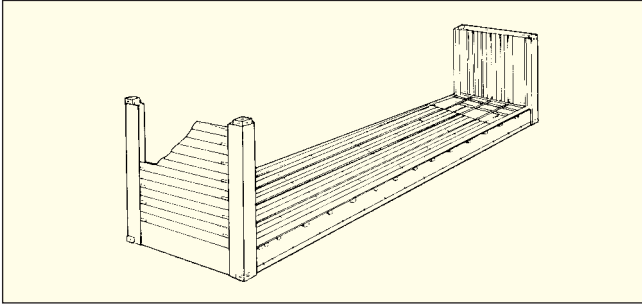
20' Flat Rack Containers



| Height | Material | Tare Weight (kg/lbs) | Max Cargo Cap. (kg/lbs) | Door Opening | | Interior Dimensions | | | Interior Cube (m³/cft) |
|--------|----------|----------------------|-------------------------|---------------|----------------|---------------------|---------------|----------------|------------------------|
| | | | | Width (mm/ft) | Height (mm/ft) | Length (mm/ft) | Width (mm/ft) | Height (mm/ft) | |
| 8'–6" | Steel | 2,750 | 31,250 | — | — | 6,038 | 2,210 | 2,213 | — |
| | | 6,063 | 68,893 | — | — | 19' 6" | 7' 3" | 7' 3.5" | — |

Remarks * : Subject to road and rail weight limitations.
: Above are typical figures for this type of containers.

40' Flat Rack Containers



| Height | Material | Tare Weight (kg/lbs) | Max* Cargo Cap. (kg/lbs) | Door Opening | | Interior Dimensions | | | Interior Cube (m ³ /cft) |
|--------|----------|-------------------------|--------------------------------|------------------|-------------------|---------------------|------------------|-------------------|---|
| | | | | Width (mm/ft) | Height (mm/ft) | Length (mm/ft) | Width (mm/ft) | Height (mm/ft) | |
| 8'-6" | Steel | 5,100 11,243 | 44,900 98,985 | — | — | 12,172 39' 11" | 2,374 7' 9.5" | 1,959 6' 5" | — |

Remarks * : Subject to road and rail weight limitations.
 : Above are typical figures for this type of containers.