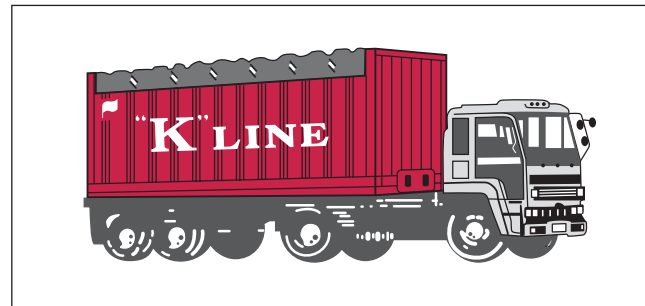
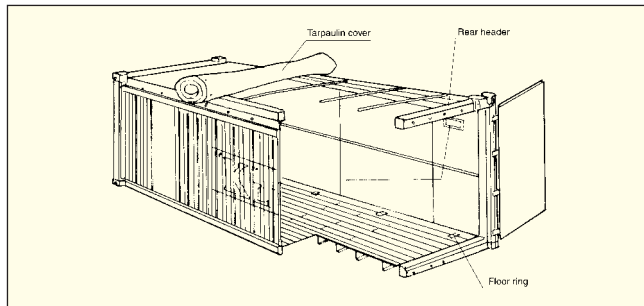


20' Open Top Containers



Height	Material	Tare Weight (kg/lbs)	Max* Cargo Cap. (kg/lbs)	Door Opening		Interior Dimensions			Interior Cube (m ³ /cft)
				Width (mm/ft)	Height (mm/ft)	Length (mm/ft)	Width (mm/ft)	Height (mm/ft)	
8'– 6"	Steel	2,330 5,137	28,150 62,059	2,340 7' 8.5"	2,280 7' 6"	5,902 19' 4"	2,350 7' 9"	2,348 7' 9"	32.2 1,137

Remarks * : Subject to road and rail weight limitations.
 : Above are typical figures for this type of containers.